

F

E

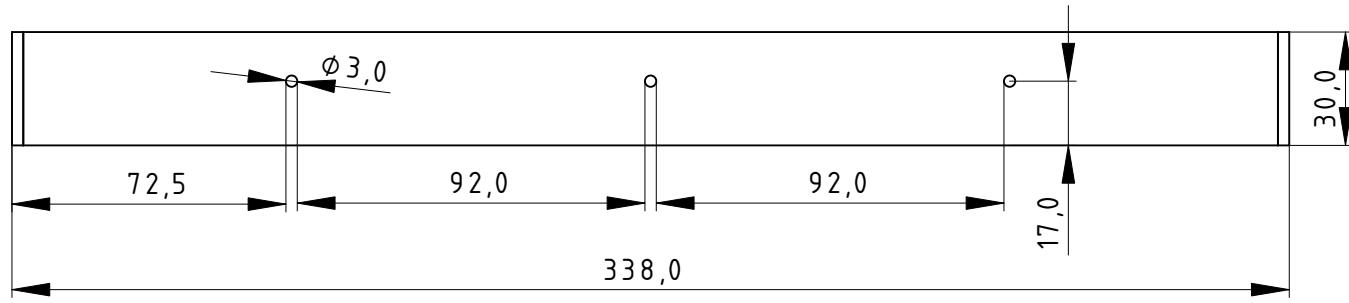
D

C

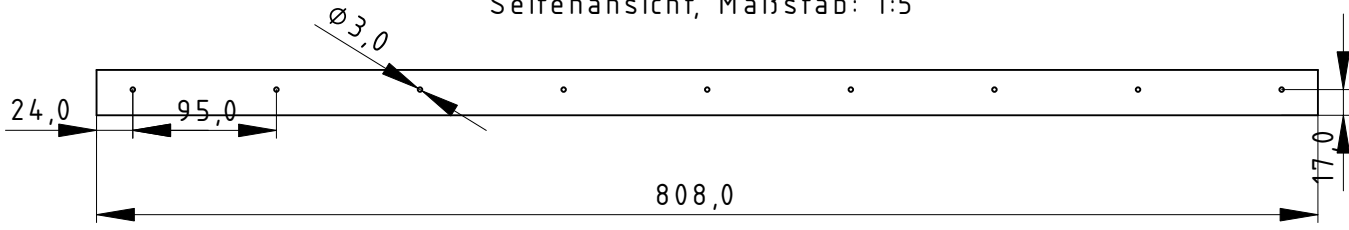
B

A

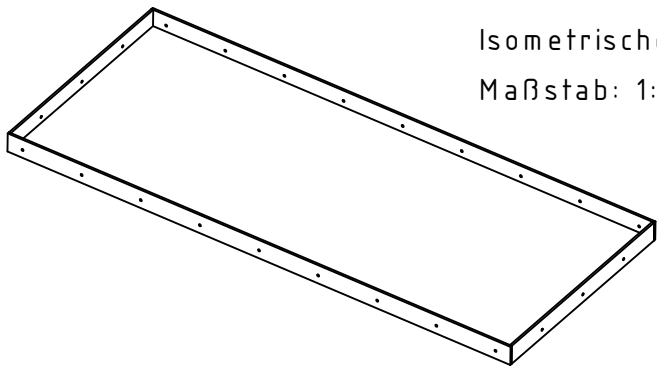
Stirnseite, Maßstab 1:2




Seitenansicht, Maßstab: 1:5



Isometrische Ansicht  
Maßstab: 1:10



Alle Angaben in Millimeter

DESIGNED BY: <b>Pablo@Bugfans</b>		<b>Batteriebox Rückbank</b>		G	—
DATE: <b>18.08.2023</b>		Deckel, Material: Aluminium, 3mm		F	—
SIZE: <b>A4</b>				E	—
SCALE				C	—
WEIGHT (kg): <b>k.A.</b>	DRAWING NUMBER: <b>1302_ES_BR_08_BD</b>	SHEET: <b>2/3</b>	B	—	
This drawing is our property; it can't be reproduced or communicated without our written consent.				A	—

F

E

D

4

3

2

1